

Mack Granite with Body Builder Tower

Mack Truck offers a center console with switches and pneumatic control valve for dump body application. Mounts to the floor and rear wall.

New trucks Order: Variant TYX-D3X_HYVA

S-Note's S1423261, S1444673, S1457718, S1460483

Mack Dealer can get the list of parts needed with **Identity** TB-131312127-4. For day cabs built after January 2017 with the Gen II interior. However, you must purchase the switches and harnesses listed below for the complete package.

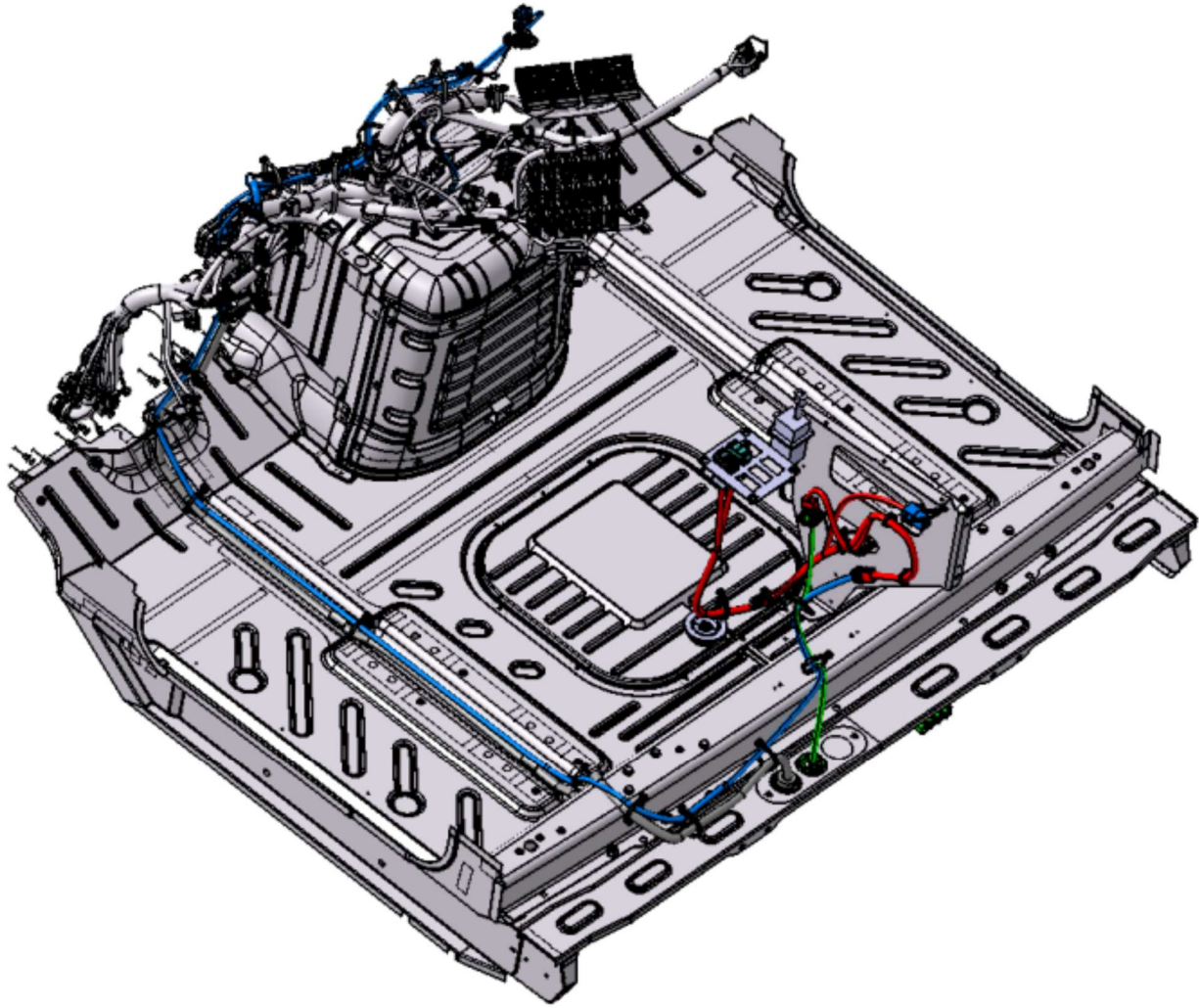
Available Switches

Tailgate Lock / Unlock Switch Part No. 22846090

Tarp Control Switch Part No. 24015990

Pneumatic Control Valve Part No.23344407

Switch Blank- Part No.22997158



Harness

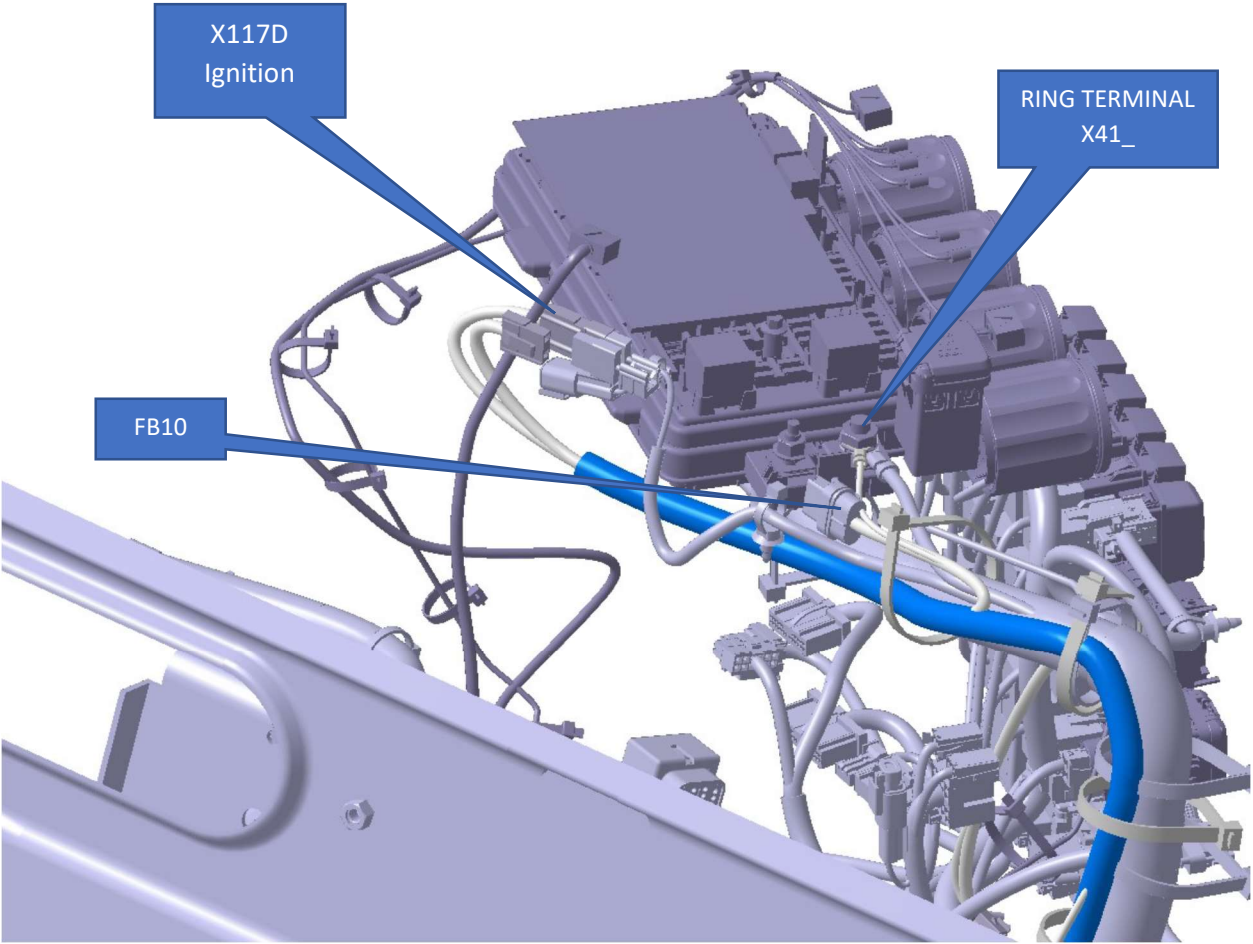
Floor Harness (Blue) Part No. 23290151

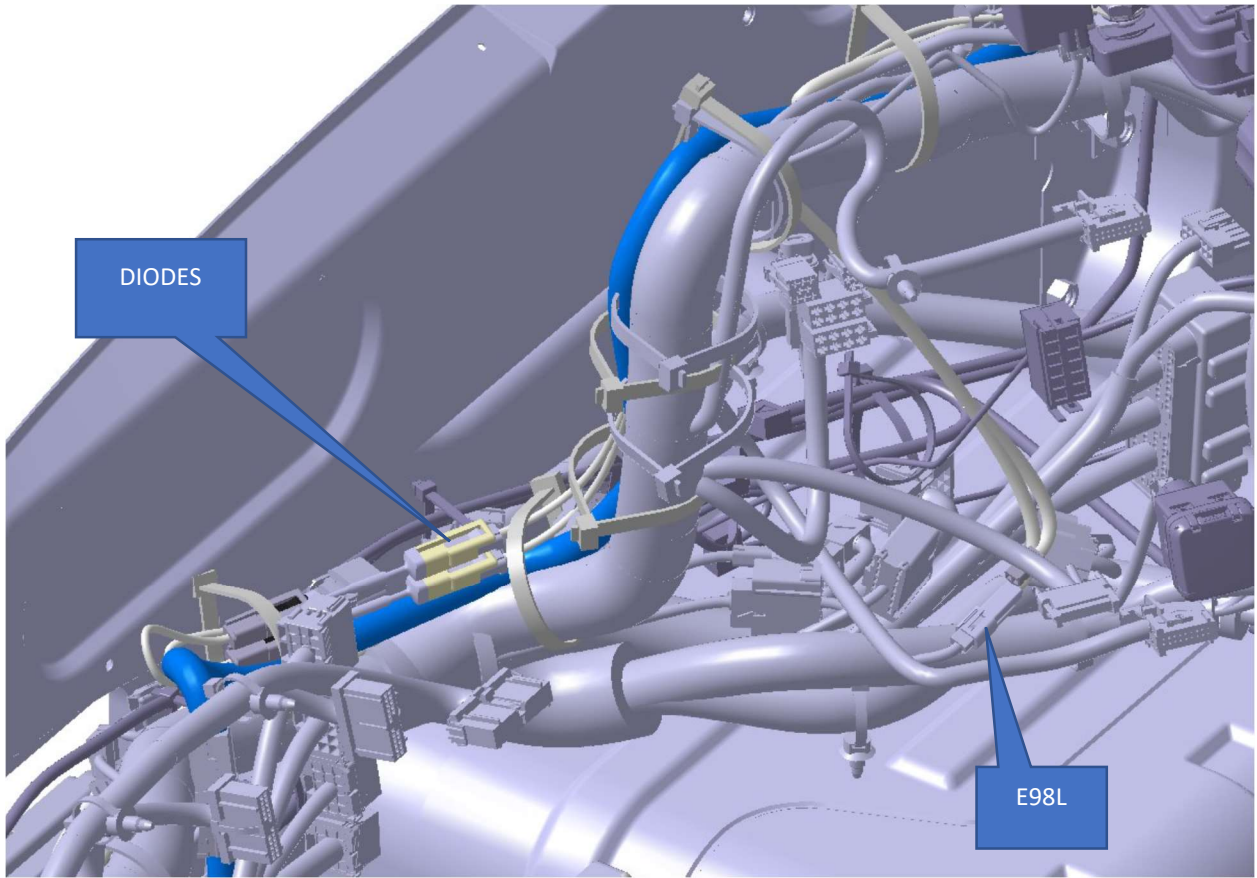
Switch Harness (Red) Part No. 23290155

BB Overlay (Green) Part No. 23290157

Switch harness routing

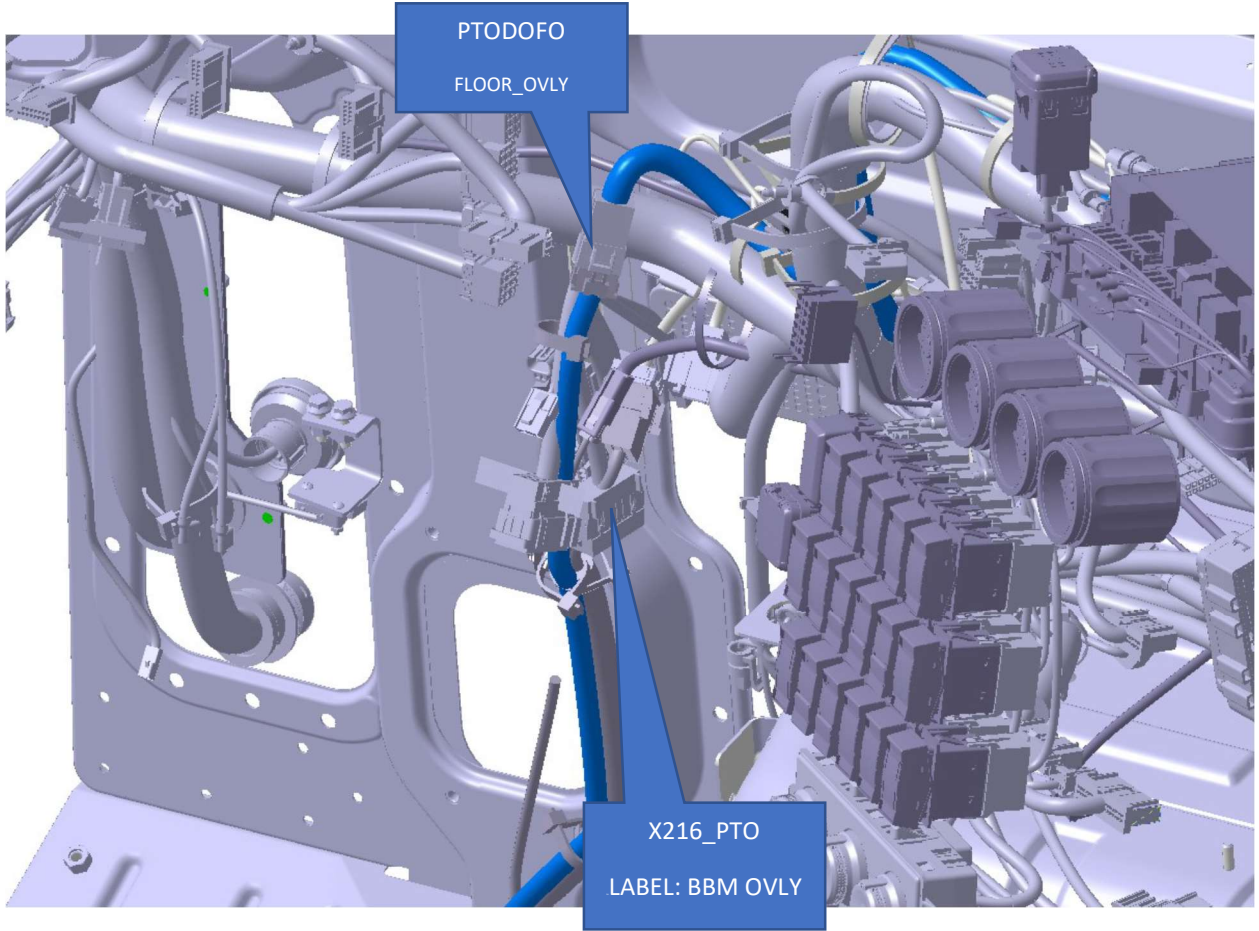
#23290151 Floor Harness Installation (Blue)





DIODES

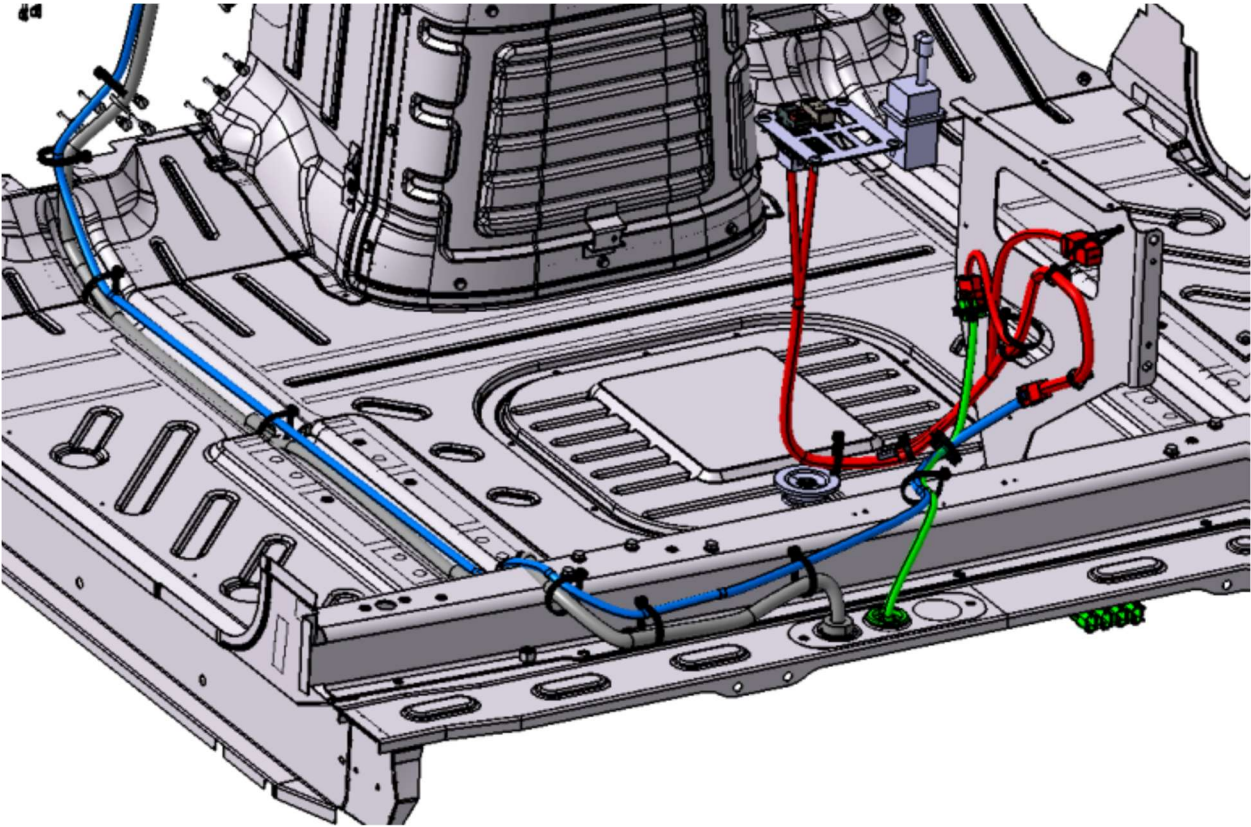
E98L



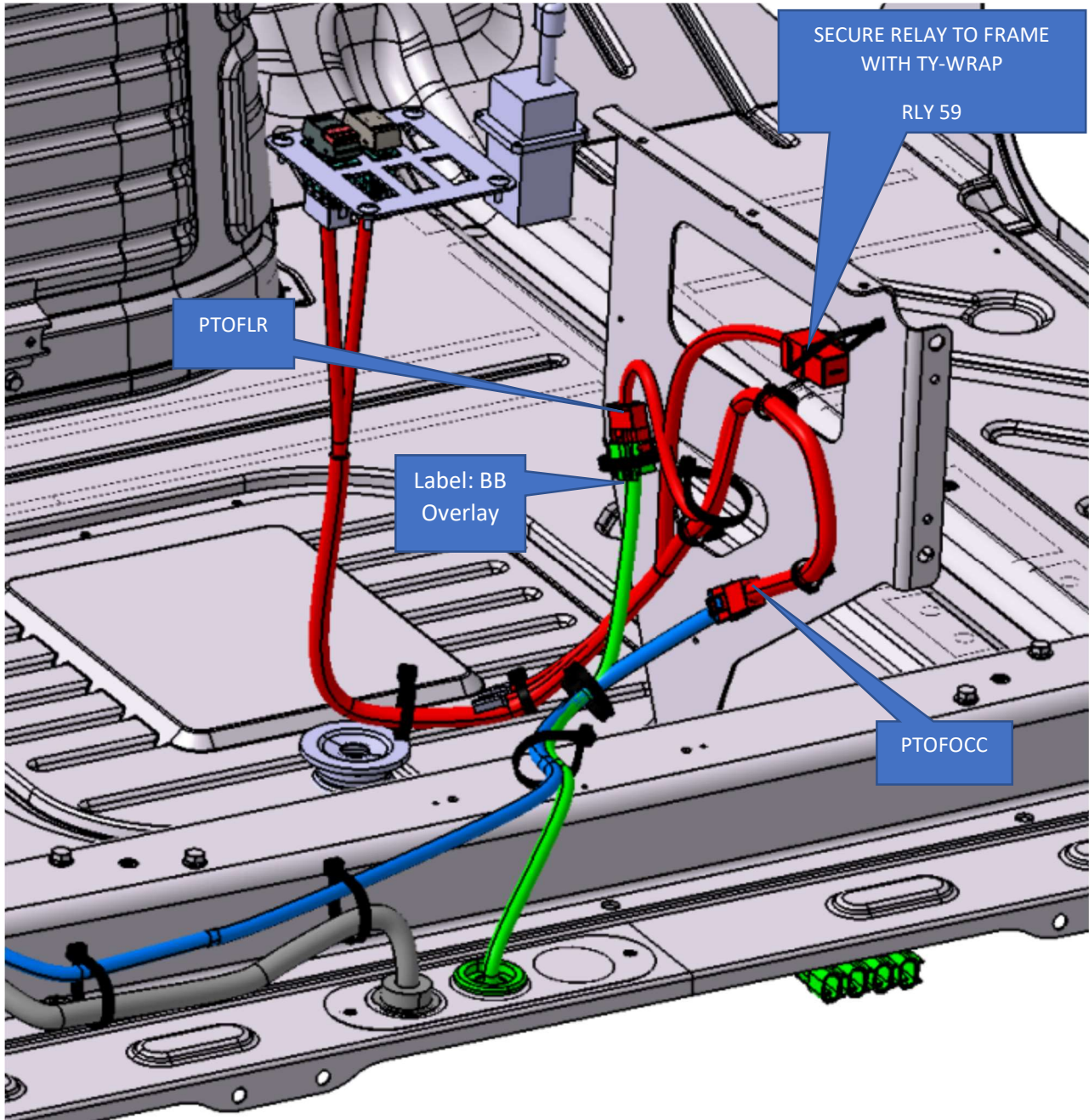
PTODOFO
FLOOR_OVLY

X216_PTO
LABEL: BBM OVLY

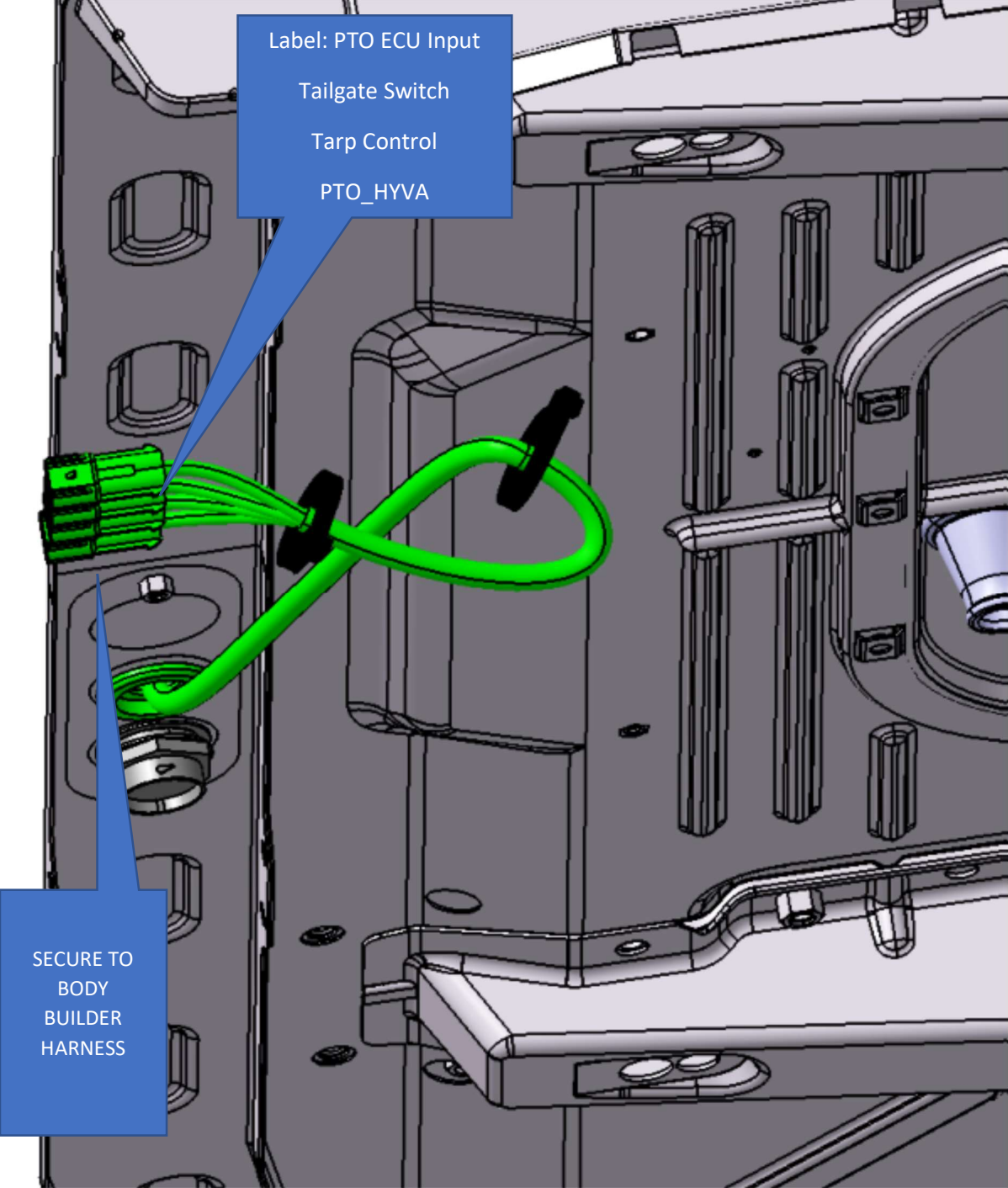
Harness Installation Overview



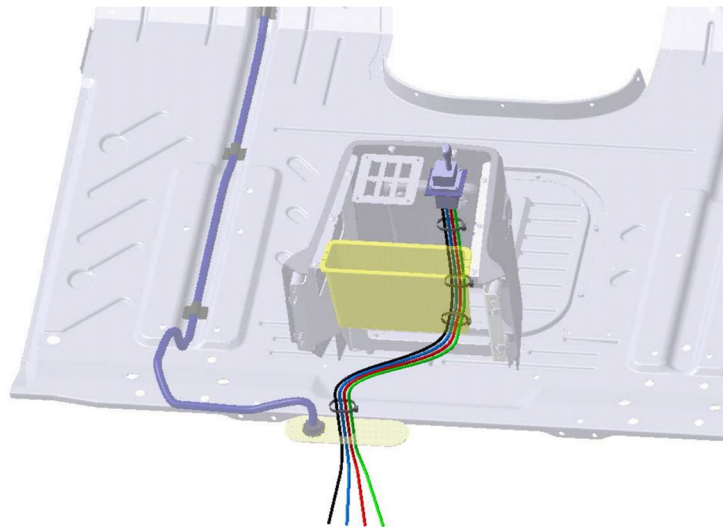
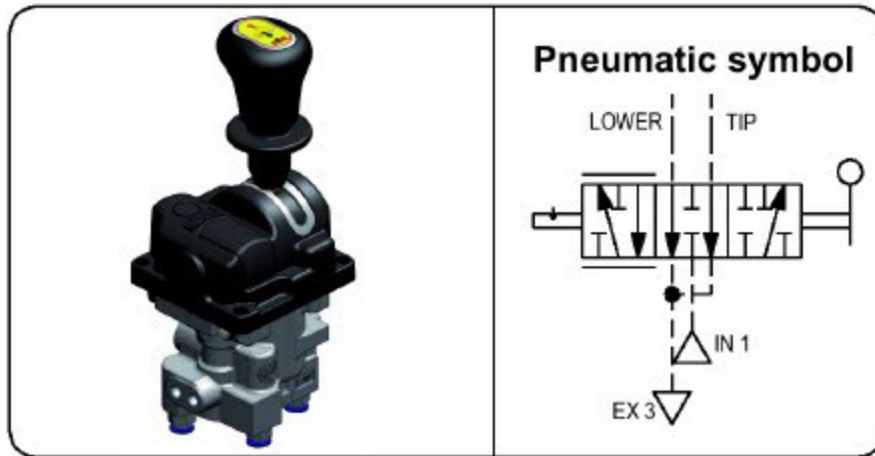
#23290155 Switch Harness (Red) Installation



BB Overlay (Green)- 23290157



Pneumatic Control Valve



AIR LINE DESIGNATIONS

TUBE COLOR	CONTROL LEVER PORT
BLACK	IN
BLUE	LOWER
GREEN	EXHAUST
RED	TIP